

Buro Maverick

24/7 Controller Chair

ASSEMBLY & OPERATING GUIDE



Features & Specifications

The Buro Maverick 24/7 Controller chair is a heavy-duty chair designed with durability for intensive work environments such as call centres, surveillance rooms, and control rooms. Enjoy superior comfort with a body-contoured wide padded seat and extra high backrest. The adjustable ergonomic features enable optimisation for multiple people in 24/7 shift-work environments. Customise to suit your needs with the depth adjustable lumbar support, height and depth adjustable headrest and robust retractable folding armrests that can be tipped up or tucked away effortlessly under your desk.

You can be confident that the Buro Maverick 24/7 Controller chair is durable and supportive, providing personalised comfort to meet your unique requirements.

FEATURES

- 200kg Buro guaranteed weight rating
- Height adjustable, ergonomically shaped and extra high backrest
- Height and depth adjustable headrest
- Depth adjustable lumbar support
- Retractable folding armrests
- Upholstered extra comfortable seat with seat depth adjustment
- Donati Epron RV mechanism with weight adjustment
- Aluminium polished design base, with matt black underside
- Two stage gas lift
- 60mm castors

SPECIFICATIONS (MM)

Overall	745w / 690d / 1210h
Back	540w / 660h
Seat	530w / 480d
Seat Height	500-635h
Seat Depth Range ⁶	440-520h

10 YEAR GUARANTEE	2 YEAR 24/7 GUARANTEE	S SUPERIOR GAS LIFT LIFETIME GUARANTEE	8+ (HRS) BURO INDICATIVE DAILY SITTING	16+ (HRS) BURO INDICATIVE DAILY SITTING	200 (KG) BURO GUARANTEED USER WEIGHT	24 7 HEAVY DUTY CHAIR	Factory Certified ISO 9001 QUALITY	Factory Certified ISO 14001 ENVIRONMENT	MEMBER BIFMA
1	2		3	4		5			

¹10 Yr Guarantee: Excludes upholstery. ²2 Yr Guarantee: Applies to 24/7 use & 16+ daily sitting hours. ³Buro Indicative daily sitting hours: 8+ with 10 yr guarantee ⁴Buro Indicative daily sitting hours: 16+ with 2 yr guarantee ⁵Buro 24/7 chairs are designed and tested for use in multi-shift environments. ⁶Seat Depth Adjustment: Measured from back lumbar to front seat edge.

General: Guarantee conditions apply, please see buroseating.com. In the interests of product development, Buro reserves the right to alter product specifications & features without notice.

Care & Maintenance

GENERAL CARE

- To maintain the appearance of non-upholstered parts wipe the surface with a clean cloth dampened with a mild detergent solution.
- Do not remove any parts for separate cleaning.
- Do not saturate the fabric or interior with water or other cleaning liquids.
- Do not shampoo clean.
- Do not clean with hot water extraction machine.
- Do not clean with on-site dry-cleaning machine.
- Protect from direct sunlight, heat and weather.

FABRIC UPHOLSTERY CARE

- Wipe with a clean cloth dampened with a mild upholstery detergent solution.
- A soft bristle brush may be used to remove ingrained soil.
- Spot clean as above.
- Treat spills and stains as soon as possible.
- Persistent stains may require treatment by a professional cleaner.
- May be cleaned with dry powder cleaners.
- Allow to dry thoroughly before reuse.

LEATHER UPHOLSTERY CARE

- Wipe with a clean cloth dampened with a mild upholstery detergent solution.
- A soft bristle brush may be used to remove ingrained soil.

- Use only leather care products suitable for top coated leather and strictly in accordance with the manufacturer's instructions.
- Spot clean as above.
- Treat spills and stains as soon as possible.
- Persistent stains may require treatment by a professional cleaner.
- Allow to dry thoroughly before reuse.

PREVENTATIVE MAINTENANCE & WARNING

- Use this product only for seating one person at a time.
- Do not use this chair as a step stool/ladder.
- Do not sit on any part of the chair except the seat.
- Do not use this chair on uneven floor surfaces.
- Do not interfere with the operating of the gas lift.
- Do not use chair unless all bolts, screws and knobs are tight. At least every six months check all bolts, screws and knobs to ensure they are tight.
- If any parts are missing, broken, damaged or worn do not use the product until repairs are made using factory authorised parts.
- Dispose of packaging properly.
- Plastic bag is not a toy.
- Do not use plastic bag as a head covering as it may cause suffocation.
- Failure to follow these warnings could result in serious injury.

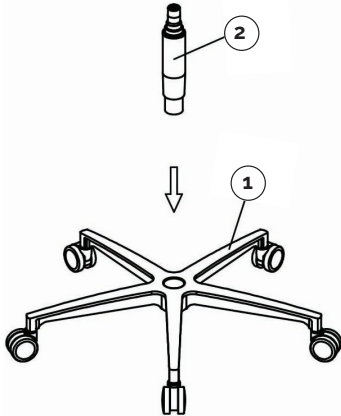
Important Note: See Parts List page for important information regarding castors.

Assembly Instructions & Parts List

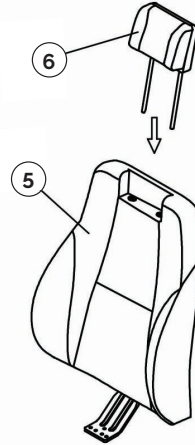
Important Note:

Remove all items from the carton. Verify all pieces before assembly.

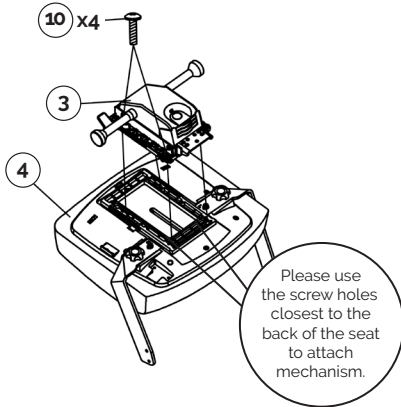
Step 1



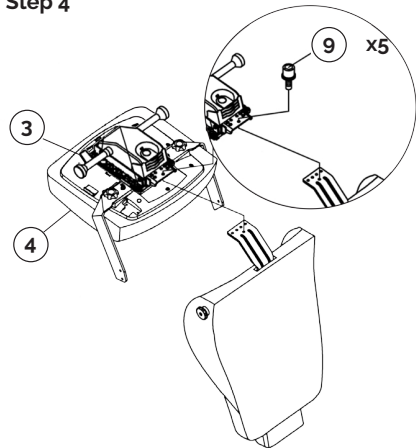
Step 2

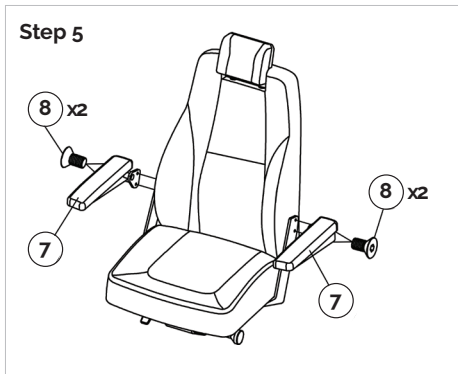


Step 3



Step 4





ATTENTION: Please read below regarding two sets of castors provided.

CASTORS

Buro has provided you two sets of castors with your Buro Maverick 24/7 Controller chair for your convenience. Where you use the chair has an impact on the choice of castors.

1. The 60mm Standard Nylon castors are specially designed for using on soft floors, providing extra grip and reduced rolling. We recommend these castors for seating on carpeted floors.

PARTS LIST

Key	Qty	Description
1	1	Base/Castors (please see below regarding castor info)
2	1	Gas lift
3	1	Mechanism
4	1	Seat
5	1	Back
6	1	Headrest
7	1	Arms
8	4	Flat Hex Screw M8 x 16
9	5	Cap Socket Screw M8 x 16
10	4	Button Hex Screw M6 x 20
11	1	Large Allen Key M6

2. The 60mm Hard Floor Polyurethane castors are specially designed for using on hard floors, providing extra grip and reduced rolling. We recommend these castors for seating on wooden floors, linoleum, tiles, and other hard floors.

- Buro recommends using a quality chair mat to ensure an even surface. This is particularly important for "high pile" carpets, tiled surfaces with deep grouting, and wooden floorboards that are not level.
- It is important that the floor surface is free from cords or any obstructions that could get caught in the castors whilst in use.
- A clean surface is important as too much dirt and grit can impede the castors' ability to roll and glide correctly.
- Following the above recommendations will ensure a safe working environment.

Tune Your Chair - Operating Guide

It is important to take time to correctly set up your new Buro Maverick 24/7 Controller chair to ensure your chair will fit and support *your* body, making the most of the excellent ergonomic functions.

Tune your Buro Maverick 24/7 Controller chair with our step-by-step operating instructions below, to ensure optimal support and well-being.

1 . Adjustable Seat Height

To adjust the seat height of the chair, locate the paddle (1) on the right-hand side. To raise the seat, lift the paddle while standing and release the paddle at the desired seat height position. To lower the seat, lift the paddle while seated and release at the desired position.



2 . Body Weight Tension Adjustment

To adjust the tension of the back tilt function, locate the knob (2) on the right-hand side. Turn the knob backwards to lessen the back tension or turn the knob forwards to increase the back tension, until you feel it is set nicely balanced for your body weight.



3 . Synchronised Back Rest With Lock

To adjust the back tilt, locate the knob (3) on the left-hand side. Turn the knob backwards to unlock the backrest, activating the free-floating forward and rearward tilt function. To lock the back at a desired angle, turn the knob forwards.



4. Seat Depth Adjustment

To adjust the seat depth, locate the lever under the right-hand side of the seat pan. Pull out the lever and slide the seat forward or backward and release the lever at the desired seat depth.



5. Ratchet Back Height Adjustment

Holding each side of the back, adjust the back height ratchet by slowly lifting the back (5) to the preferred height. To lower the back, lift the back to the highest position possible allowing the back to release, it will then reset to the lowest position.



6. Headrest Adjustment

To adjust the height of the headrest (6) grasp both sides and lift to desired height. To adjust the tilt of the headrest, pull the front section forward or backward to desired position.



7. Lumbar Support Adjustment

To increase the built-in lumbar support (7), turn the dial located at the bottom of the right hand side of the back rest clockwise. To decrease the lumbar turn anti-clockwise.



8. Flip Up Arm Rests

To retract the arm rests (8), lift until pointing upwards, push down to return to original position. To adjust the angle of the arm rests, locate the winder on the underneath side of the arm rest. Turn to the left for a lower angle or to the right for a higher angle.



Our Guarantee

When the going gets tough, you'll always have our support.

Our guarantee is your assurance that our chairs are made to the highest standards of quality, ergonomics, comfort and durability.

That's why we're proud to firmly back the quality of your Buro Maverick 24/7 Controller chair with a 10` year guarantee.

Please scan the barcode to register your Buro Maverick 24/7 Controller chair for our comprehensive guarantee.



10
YEAR
GUARANTEE

2
YEAR
24/7
GUARANTEE

Your Buro Maverick 24/7 Controller chair is guaranteed for 10 years (commencing from the date of purchase) to the original purchaser against faulty manufacture. This excludes the upholstery material and fair wear and tear. The guarantee is subject to the chair being used for its designed purpose and a single shift duration i.e. 40 hours per week. For 16+ hours / 24/7 multi-shift usage, a 2 year guarantee applies. Please refer to buroseating.com for guarantee terms & conditions.

What sets the Buro Maverick 24/7 Controller chair apart?

Take a sneak peek at this chair's innovative construction to see the structural integrity.

